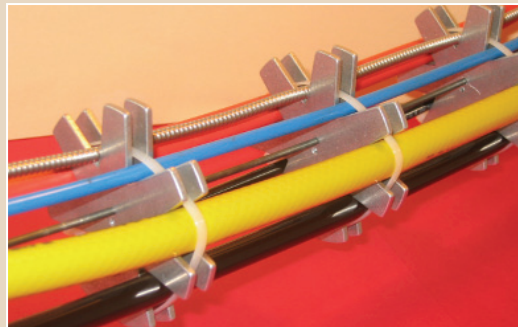
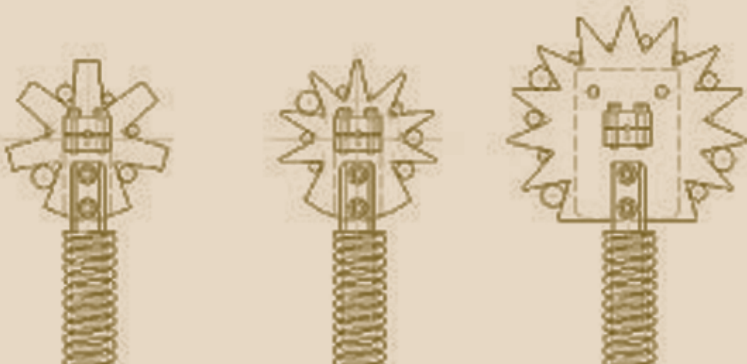
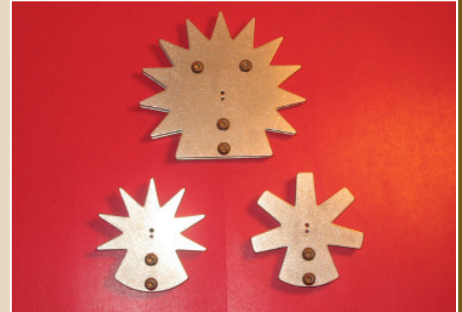
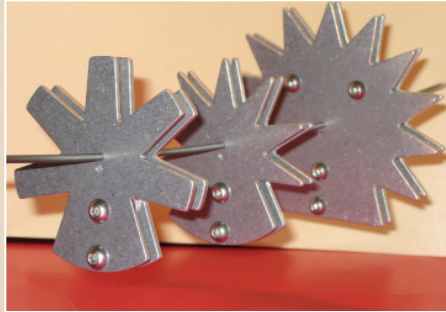


**INCREASE  
PRODUCTIVITY  
AND PROFIT!**



## RoboLase Solutions Introduces the new E-Z v Whip System For Automation

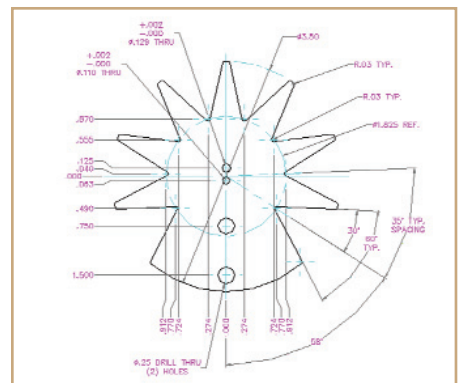
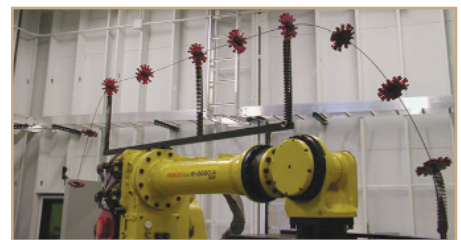
**Technological Breakthrough** – RoboLase introduces the NEW E-Z v Whip Hose and Cable Carrier System. The E-Z v Whip Hose and Cable Carrier System is unique and offers a universal approach for 2D and 3D applications. The E-Z v Whip System is common and can be integrated to the following applications:

- **Assembly**
- **LASER Processing**
- **Metal Fabrication**
- **Material Handling**
- **Material Removal**
- **Packaging**
- **Paint**
- **Palletizing**
- **Press Tending**
- **Sealing and Dispensing**
- **Spot and Arc Welding**

- E-Z v Whip is rugged, lightweight and built to move.
- E-Z v Whip vertebrae hold up to .875" O.D. hoses or cables with easy cable access and open flex design.
- E-Z v Whip allows for 6, 8 or 12 hoses or cables individually located and secured.

- **Strong and Steady** – E-Z v Whip allows for an expanded 50 feet work envelope. Hoses and cables can be secured from automation or robotic end-of-arm tooling for 50 feet.
- **Thinking Thin** – With the E-Z v Whip you have less weight to move with your automation or robotics system.
- E-Z v Whip vertebrae rotate 360 degrees allowing for self-equalization of 2D and 3D movement.
- **a.lu.mi.num** - E-Z v Whip components are LASER fabricated from 6061 aluminum.
- The E-Z v Whip spine is designed to withstand 400,000 linear directions.
- E-Z v Whip vertebrae are designed for over 100,000 hours and offer an industry-leading warranty.
- The E-Z v Whip vertebrae spacing allows for greater bend radius distribution over the hose and cable length, reducing fatigue and failure.

- E-Z v Whip allows for last minute hose or cable diameter changes
- **E-Z v Whip or A La Carte** – buy a complete system or individual components.



Patent Pending